


FIREPLACES & STOVES | BATHROOM FURNITURE

Model 1434 (18") and 1499 (16") Electric Heater

User instructions for LED effect 2kw Heater

These instructions should be read carefully and retained for future reference

Important Notes

- This heater must not be located immediately below a fixed socket outlet.
- Do not use the heater in the immediate surrounds of a bath, a shower, or a swimming pool.
- **Do not cover this heater, or obstruct the air inlet or outlet, otherwise there is a risk of overheating.** 
- The heater must be cooled down completely before any maintenance
- This heater must be fixed against a vertical surface.
- Under no circumstances should the heater be used as a free standing appliance.
- After unpacking, please make sure that the appliance is intact, with no signs of damage caused by transport. If in doubt, do not use the appliance and contact the Service Centre.
- During normal operation this appliance will emit noise from the internal fan unit.
- If the supply cord is damaged, it must be replaced by the manufacturer, its service agent or similarly qualified persons in order to avoid a hazard.
- Children should be supervised to ensure that they do not play with the appliance or handset
- Children of less than 3 years should be kept away unless continuously supervised. Children aged from 3 years and less than 8 years shall only switch on/off the appliance provided that it has been placed or installed in its intended normal operating position and they have been given supervision or instruction concerning use of the appliance in a safe way and understand the hazards involved. Children aged from 3 years and less than 8 years shall not plug in, regulate and clean the appliance or perform user maintenance.
- This appliance can be used by children aged from 8 years and above and persons with reduced physical, sensory or mental capabilities or lack of experience and knowledge if they have been given supervision or instruction concerning use of the appliance in a safe way and understand the hazards involved. Cleaning and user maintenance shall not be made by children without supervision
- Some parts of this product can become very hot and cause burns. Particular attention has to be given where children and vulnerable people are in the vicinity.
- Do not use this appliance as a primary heat source
- Ensure that furniture, curtains and other combustible materials are positioned no closer than 1m from the front of the fire.
- Do not stand the fire on the carpet – stand on a firm surface, which projects 250 mm (10 inches) beyond the front of the fire and is free of dust and lint.
- If this fire is supplied through an extension cable, please ensure that it is the only appliance plugged into the extension and that the instructions for the extension cable / reel are followed.
- CAUTION: In order to avoid a hazard due to inadvertent resetting of the thermal cut out, this appliance must not be supplied through an external switching device, such as a timer, or connected to a circuit that is regularly switched on and off by the utility.
- This appliance must be positioned so that the plug / fused spur is accessible
- In the event of a fault please disconnect the fire from the mains supply
- Warning: This appliance must be earthed.

The wires in the mains lead connected to this appliance are coloured in accordance with the following code:

GREEN and YELLOW	Earth
BLUE	Neutral
BROWN	Live

As the colour of the wires in the mains lead of this appliance may not correspond with the coloured markings identifying the terminals in your plug, proceed as follows:

The wire which is coloured Green and Yellow must be connected to the terminal in the plug which is marked with the letter E or by the earth symbol or coloured Green or Green and Yellow. The wire which is coloured Blue must be connected to the terminal which is marked with the letter N or coloured Black. The wire which is coloured Brown must be connected to the terminal which is marked with letter L or coloured Red.

Please unpack carefully ensuring that any loose parts and all packing items are removed. Read any warning labels carefully (see Maintenance Section). Place waste packaging back into box and dispose of RESPONSIBLY.

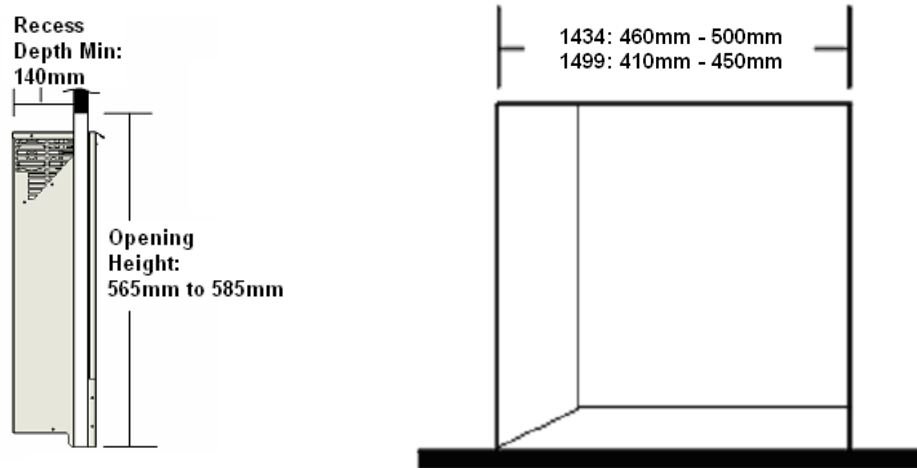
The appliance must be positioned so that plug or fused spur is accessible. Only when you are certain that you have completed the installation should you plug in and switch on at the wall socket.

Before You Start

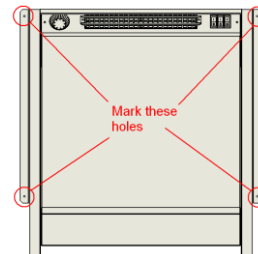
- The appliance Data Plate is located on the top of the Heater box – Disconnect from the mains supply before removing the Glass as described in the maintenance section.
- This fire should not be installed into an open / existing fireplace without the opening being professionally blanked off to reduce the risk of a back draught, which could cause the safety cut-out to operate.

Installation:

Figure 1 – Installation Recess / Surround Dimensions (All Dims are in mm)



- Ensure that the installation aperture dimensions are as to the above specification, please note that this fire should not be installed into an open / existing fireplace without the opening being professionally blanked off to reduce the risk of a back draught, which could cause the safety cut-out to operate.
- The appliance must be positioned so that plug or fused spur is accessible. Only when you are certain that you have completed the installation should you plug in and switch on at the wall socket.
- Offer the unit into position central to the opening, using the fire as a template mark the positions (as shown in Fig 2.) onto the opening medium, remove the fire from the
- Use an appropriate securing method as described below:
 - Brick / Marble / Stone: Drill and plug the above holes using appropriate size and plugs for the screw (Not Supplied)
 - Drill a pilot hole through the opening medium using an appropriate size drill the screws to be used (Not Supplied)



fixing hole opening.

drill

bit for

Figure 2

- Once more offer the fire up to the opening and secure the fire using 4 screws (Not Supplied) to the opening medium
- Fit the included trim to the fire.

Three sided trim: Use the 4 magnets provided, these should be positioned on the most forward face next to the glass screen.

Four sided trim: 2 x 10mm and 1 x 7mm magnets should be positioned on the inner rear face of each trim leg 100mm from the base. Offer up the trim to the fire, hooking the trim in place on the fire body's top edge and allow the magnets to pull the base in to position. Care must be taken when position trims not to damage the mounting face.
- The fire is now installed.

Preparation for Use

Check that the supply voltage details on your flame effect fire are in accordance with your electrical supply. Your fire is fitted with a plug incorporating a 13 Amp fuse. In the event of replacing the fuse in the plug supplied, a 13 Amp fuse approved by ASTA to BS 1362 must be used. Before switching on, please read the following operation instructions.

Thermostat

This model is fitted with a thermostat that is mounted on the left-hand side of the heater box control panel (see figure 3).

It can be used to control the heat output to maintain a constant room temperature to suit user requirements. This will ensure that excessive heat is not produced unnecessarily.

To set the temperature

The knob is marked with numbers to indicate the maximum and minimum temperature positions. Start with setting 9 and when the room has reached a desired level turn the knob slowly to the left until the thermostat just 'clicks' off. The thermostat will then maintain the room temperature at the selected level. To increase the temperature, turn knob back to the right to a higher setting.

Note: - It is possible that if the room temperature is higher than the thermostat setting it will not come into operation and the heater will remain off until the temperature of the room cools.

Manual 3 Switch Operation:

The Flame effect and heat controls are located under the top shelf of the fire surround on the right-hand side of the heater box as shown in [Fig.3](#).

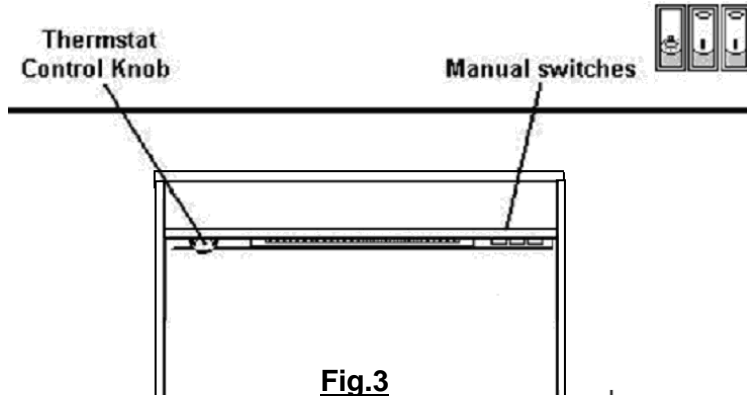


Fig.3

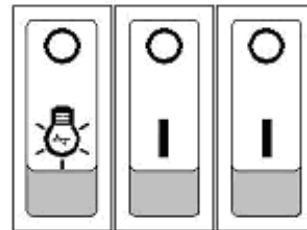


Fig.4

- The first switch marked with a light bulb controls the lamp and flame effect as shown in [Fig.4](#).
- The next two switches operate the fan convactor heater. To use the heater the middle of the three switches marked **O/I** (**O** is off, **I** is on) should be operated first for 1 kW of heat. The right hand switch also marked **O/I** should be used together with the middle switch to give 2kW of heat.
- Note' lamp' switch must be in the 'on' position for heater to function.

Safety Thermal Cut-out and Thermal Link:

This appliance is fitted with an Electric Safety Control (E.S.). This is a safety device, which switches off the fire if, for any reasons, the appliance overheats. The E.S. Control can only be re-set after the appliance has cooled down, in order to re-set the E.S. Control, proceed as follows:

- Switch off the appliance. Unplug at wall socket and leave for approximately 5-10 minutes.
- Plug in switch on appliance and the E.S. Control will re-set.

Ensure that the appliance is functioning correctly. If the E.S. Control switches off again it is advisable to have the appliance checked by a competent electrician.

CAUTION: In order to avoid a hazard due to inadvertent resetting of the thermal cut out, this appliance **must not be** supplied through an external switching device, such as a timer or connected to a circuit that is regularly switched on and off by the utility.

Maintenance:

- **WARNING:** - Before undertaking any maintenance or cleaning, ensure appliance is disconnected from mains supply. Only competent persons should service / repair appliance.
- **WARNING:** - There are no internal user serviceable parts, i.e. bulbs in this product. Under no circumstance should access be gained to the internal parts other than by a suitably qualified person.
- **Please note:** - If the supply cord on this appliance is damaged it must be replaced by the manufacturer, Authorised Service Agent, or a Qualified Person to avoid hazard.

Care

Warning: Before undertaking any maintenance or cleaning disconnect appliance from main supply. Only competent persons should service / repair appliances.

PLEASE NOTE THAT THIS APPLIANCE USES A MOTOR TO OPERATE THE FLAME EFFECT AND THE HEATER, IN OPERATION IT MAY BE POSSIBLE TO HEAR EITHER OF THESE MOTORS WHERE THE BACKGROUND NOISE IS VERY LOW. THIS IS NORMAL AND SHOULD NOT BE A CAUSE OF CONCERN.

General Fire Care – not glass

- The area around the fire should be kept free of any materials such as lint or house dust (i.e. animal hair / carpet fibres) that could be drawn into the internal workings of the appliance and hence affect the performance. We recommend that you clean around the fan grille housing at regular intervals. This can be done using standard vacuum cleaner and suitable attachment.

Glass Care and fuel bed cleaning

- Periodically it may be necessary to remove the glass screen for cleaning, this is achieved by first disconnecting the appliance from the mains supply, to remove the glass it is necessary to remove the front plate from the heater box, this is done by removing the two screws either side of the heater box and pulling the front plate towards the user.
- With the front plate removed, lift the glass panel upwards and towards to remove the panel from the fire. And place in a clean, soft, safe location for cleaning.
- When cleaning glass panels use a slightly damp cloth. Do not use washing powders or any other substance containing abrasives since these substances scratch glass.
- With the glass removed any lint or house dust that has accumulated in the unit can be vacuumed out using a standard vacuum cleaner and suitable soft brush attachment.
- Refitting the glass panel is done in the reversal of the above steps

Fault finding – Symptoms and cures

It is highly unlikely you should have a fault with your electric heater, but should there appear to be a problem please refer to the following checklist of our most frequently asked questions from customers. If these do not answer your query please contact your retailer, or call our customer service department.

No Flame Effect. Please check – does the heater still work? If Yes, - it will almost certainly need a LED unit (See Maintenance Section)

If No - has the heater cut out operated? To protect against overheating please refer to the safety cut out paragraph. If still not working, first change the 13 Amp fuse in the plug with one you know works. Secondly, check the wall socket by plugging in a table lamp that you know has worked on another socket. If this does not work, get an electrician to check the socket.

Waste electrical products should not be disposed of with household waste. Please recycle where facilities exist. Check with your local authority or retailer for recycling advice.



Electric Fire Guarantee

Be Modern Ltd. (the 'Company') provide a **twelve month** guarantee in respect of electric fire (the 'Product') ranges.

1. The twelve month Guarantee applies to:

- All 'Products' in the ranges manufactured by the 'Company' (but subject to exceptions below); where
- The 'Product' has been purchased and installed within the UK and in respect of
- The initial installation; and in favour of
- The original Purchaser

2. Proof of purchase must be retained by the Purchaser

3. The twelve month Guarantee does not apply to:

- Damage or inferior workmanship practices while the 'Product' is being installed
- Damage caused by the mis-use of the 'Product' or where normal standards of care and use have not been complied with.
- Damage through a malfunction or an inadequately installed electric fire.
- Damage or defects due to, mis-use, accident or unauthorised alterations.

During the **twelve month** after the 'Product' has been supplied, the Guarantee covers the making good (whether by repair or replacement at the company's option) of defects arising from defective manufacture of materials of 'Product' covered in paragraph (1), all at no cost to the Purchaser.

This Guarantee does not affect your statutory rights

On requiring service contact the retailer who supplied your product who will assist you and advise you as necessary.



This fire complies with the European Safety Standards (LVD) EN60335-1, EN60335-2-30, the European Electro Magnetic Compatibility (EMC) EN55014, EN61000 and EN62233 which covers the essential requirements of the EEC Directives and 89/336

Be Modern Ltd. Customer Services: Tel (0191) 430 0901 - Fax (0191) 430 9522